



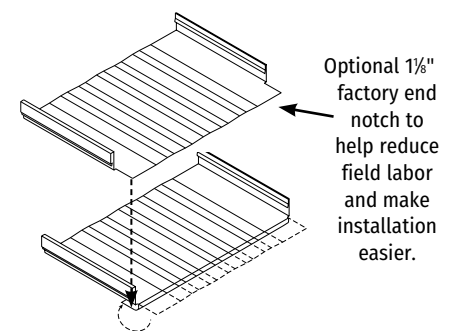
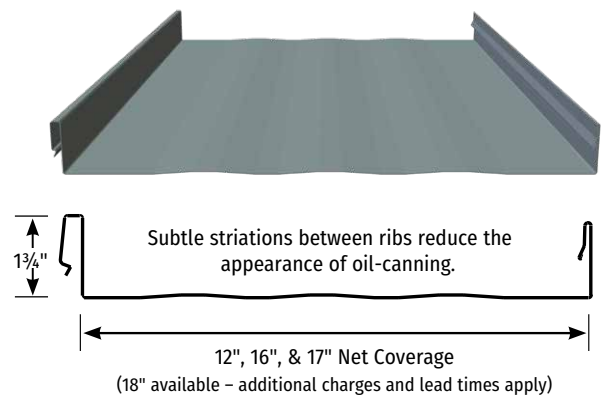
Design Span *hp*

EXCELLENCE IN STANDING SEAM METAL ROOFING

When you're looking for protection, beauty, and value in a roof, a distinctive standing seam panel offers the best solution. Design Span *hp* is a performance-rated, structural, snap-together concealed fastener roofing system.

FEATURES AND BENEFITS

- 24 and 22ga available in our Dura Tech™ 5000 and Dura Tech™ mx colors.
- Limited Lifetime Warranty for residential applications.
- Recommended minimum slope of 2:12. Inquire for slopes below 2:12.
- Factory notching available for turn under at the eave (some limitations apply). Notch provides a clean detail and reduction in labor.
- A snap-on panel requiring no field seaming, and comes standard with factory applied sealant in the female leg for reduced field labor and ease of installation.
- Tested for air infiltration per ASTM E1680, water infiltration per ASTM E1646, and wind uplift per ASTM E1592.
- Product is UL Class A Fire Rated when installed in accordance with UL requirements.
- Panel evaluated by accredited third party. All structural performance data is contained within an IBC/IRC code compliance report.



Factory notch allows panel to be field turned down with clean, uniform detail.

Cool DURA TECH 5000

These Energy Saving Cool Colors keep the Heat Out and the Color Brilliant.

ZINCALUME® Plus SRI: 64 • LRV: 67	Cool Regal White SRI: 88 • LRV: 75	Cool Parchment SRI: 58 • LRV: 40	Cool Sierra Tan SRI: 55 • LRV: 34
Cool Pebble SRI: 48 • LRV: 27	Cool Walnut SRI: 38 • LRV: 18	Cool Weathered Copper SRI: 34 • LRV: 11	Cool Dark Bronze SRI: 32 • LRV: 8
Cool Terra-Cotta SRI: 41 • LRV: 15	Cool Colonial Red SRI: 35 • LRV: 9	Cool Old Town Gray SRI: 43 • LRV: 27	Cool Zinc Gray SRI: 39 • LRV: 20
Cool Slate Gray SRI: 33 • LRV: 12	Cool Midnight Bronze SRI: 27 • LRV: 7	Cool Matte Black SRI: 29 • LRV: 5	Cool Tahoe Blue SRI: 33 • LRV: 14
Cool Regal Blue SRI: 29 • LRV: 10	Cool Sage Green SRI: 41 • LRV: 21	Cool Leaf Green SRI: 30 • LRV: 11	Cool Forest Green SRI: 29 • LRV: 9

Vintage® coated metal is available in 24ga only. Vintage is an innovative coating processed over galvanized G90 metallic-coated steel substrate producing a beautiful, durable, aged-metallic finish.

Vintage®* SRI: 22 • LRV: 20

Cool DURA TECH mx

Energy Savings in long lasting Cool Metallic Colors

Cool Silversmith* SRI: 58 • LRV: 54	Cool ZACTique® II* SRI: 39 • LRV: 22	Cool Metallic Champagne* SRI: 54 • LRV: 33	Cool Metallic Silver* SRI: 65 • LRV: 50
Cool Metallic Copper* SRI: 53 • LRV: 29			

* Metallic colors are subject to price upcharge. These colors are batch sensitive (may have color variation) and are directional in nature. Different batches are not to be mixed on projects. We recommend you request a sample of current stocked material to review actual color before ordering to ensure color accuracy.

SRI=Solar Reflective Index. SRI values in accordance with ASTM E1980 and are based on independent testing. Cool Roof Rating Council (CRRC) performance values (for CA Title 24) are based

REPRESENTATION OF COLORS MAY VARY DUE TO PRINTING LIMITATIONS. Sample color chips are available upon request. Consult your ASC Building Products representative for more information.

on color families and will differ from those listed above. Please visit www.ascbp.com for additional information.



Oil Canning

All flat metal surfaces can display waviness commonly referred to as "oil canning." "Oil canning" is an inherent characteristic of steel products, not a defect, and therefore is not a cause for panel rejection.



ASC Building Products is Proudly Distributed by:

